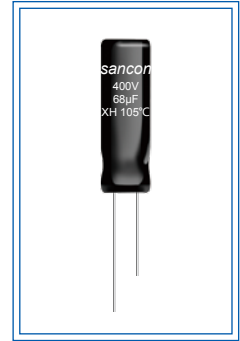


# XH (CD26H)

- 105°C 3000-5000 小时。3000-5000 hrs at 105°C.
- 长寿命，细长型。Long life, Slim Type.
- 高纹波电流。High ripple current.

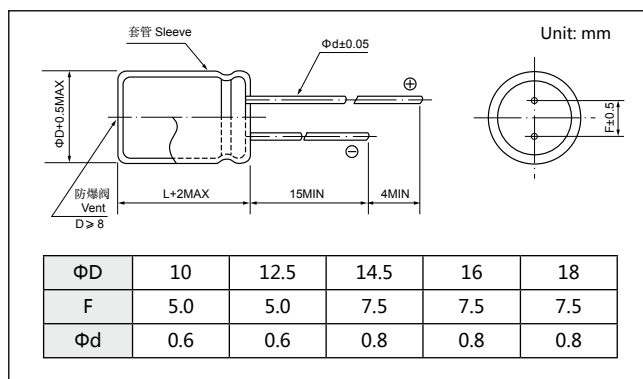


Miniature Mount

## 主要技术性能 Specifications

项目 Item	特性 Performance Characteristics												
工作温度范围 Operating Temperature Range	-25~+105°C												
额定电压范围 Rated Voltage Range	200~450V												
标称容量范围 Nominal Capacitance Range	33~560µF												
标称容量允许偏差 Capacitance Tolerance	±20%(+20°C, 120Hz)												
漏电流 Leakage Current (+20°C, max)	after 1 minutes at 20°C application of rated voltage, leakage current is not more than : $I \leq 0.02CV$ (1分钟, 20°C)												
损耗角正切值 (tgδ) Dissipation Factor (+20°C, 120Hz)	<table border="1"> <tr> <td>U<sub>R</sub>(V)</td> <td>200</td> <td>250</td> <td>350</td> <td>400</td> <td>450</td> </tr> <tr> <td>tgδ</td> <td>0.12</td> <td>0.15</td> <td>0.15</td> <td>0.20</td> <td>0.20</td> </tr> </table>	U <sub>R</sub> (V)	200	250	350	400	450	tgδ	0.12	0.15	0.15	0.20	0.20
U <sub>R</sub> (V)	200	250	350	400	450								
tgδ	0.12	0.15	0.15	0.20	0.20								
温度特性 Temperature Characteristics (Impedance ratio at 120Hz)	<table border="1"> <tr> <td>U<sub>R</sub>(V)</td> <td>200~250</td> <td>400~450</td> </tr> <tr> <td>Z-25°C / +20°C</td> <td>3</td> <td>8</td> </tr> </table>	U <sub>R</sub> (V)	200~250	400~450	Z-25°C / +20°C	3	8						
U <sub>R</sub> (V)	200~250	400~450											
Z-25°C / +20°C	3	8											
耐久性 Load Life	+105°C施加带额定纹波电流的额定电压规定时间 (Φ ≤ 10: 3000 小时; Φ > 10: 5000 小时), 恢复 24 小时后: After applying rated voltage with specified ripple current for specified time (Φ ≤ 10: 3000h; Φ > 10: 5000h) at +105°C and then resumed 24 hours: 电容量变化率 Capacitance change : ±20% 初始测量值以内 ±20% of the initial measured value 漏 电 流 Leakage current : ≤ 初始规定值 ≤ the initial specified value 损耗角正切值 Dissipation factor : ≤ 2 倍初始规定值 ≤ 200% of the initial specified value												
高温贮存 Shelf Life	+105°C, 1000 小时贮存后, 加额定工作电压处理 30 分钟, 恢复 24 小时后: After storage for 1000 hours at +105°C, U <sub>R</sub> to be applied for 30 minutes and then resumed 24 hours : 电容量变化率 Capacitance change : ±20% 初始测量值以内 ±20% of the initial measured value 漏 电 流 Leakage current : ≤ 初始规定值 ≤ the initial specified value 损耗角正切值 Dissipation factor : ≤ 2 倍初始规定值 ≤ 200% of the initial specified value												

## 外形图及尺寸 Diagram of Dimensions



## 纹波电流修正系数 Multiplier for Ripple Current

### 频率系数 Frequency coefficient

Frequency(Hz)	50(60)	120	500	1K	≥ 10K	
Coefficient	200-250V	0.8	1.0	1.20	1.30	1.40
	400-450V	0.8	1.0	1.25	1.40	1.50

### 温度系数 Temperature coefficient

Temperature (°C)	+70	+85	+105
Coefficient	1.80	1.40	1.00

额定值标准 *Standard Size*

U <sub>R</sub> (Surge Voltage) Code(V)	Capacitance (μF)	Size ΦD×L (mm)	Rated ripple current 105°C, 120Hz (mA <sub>RMS</sub> )	Max ESR 20°C, 120Hz (Ω)	Typ ESR 20°C, 120Hz (Ω)
200 (250) 2D	82	10×36	420	1.942	1.068
	100	10×40	480	1.592	0.876
	120	10×45	540	1.327	0.730
	150	12.5×36	650	1.062	0.584
	180	12.5×42	730	0.885	0.487
	220	12.5×45	840	0.724	0.398
	270	16×40	910	0.59	0.325
	330	18×36	1050	0.483	0.266
	390	18×40	1180	0.408	0.224
	470	18×45	1300	0.339	0.186
	560	18×50	1450	0.284	0.156
250 (300) 2E	68	10×36	340	2.927	1.610
	82	10×43	440	2.427	1.335
	100	10×51	500	1.99	1.095
	120	12.5×40	580	1.659	0.912
	150	12.5×45	680	1.327	0.730
	180	16×40	760	1.106	0.608
	220	18×40	880	0.905	0.498
400 (450) 2G	33	10×40	290	6.032	3.318
	47	10×51	390	4.235	2.329
	56	12.5×40	440	3.554	1.955
	68	12.5×45	600	2.927	1.610
	82	14.5×40	640	2.427	1.335
	100	14.5×45	610	1.99	1.095
		16×40	610	1.99	1.095
	120	18×36	680	1.659	0.912
	150	18×40	810	1.327	0.730
	180	18×45	920	1.106	0.608
	220	18×50	960	0.905	0.498

U <sub>R</sub> (Surge Voltage) Code(V)	Capacitance (μF)	Size ΦD×L (mm)	Rated ripple current 105°C, 120Hz (mA <sub>RMS</sub> )	Max ESR 20°C, 120Hz (Ω)	Typ ESR 20°C, 120Hz (Ω)
420 (470) 2X	39	10×45	320	4.083	2.246
	47	10×51	370	3.388	1.863
	56	12.5×40	450	2.843	1.564
	68	12.5×45	520	2.342	1.288
		14.5×35.5	520	2.342	1.288
	82	14.5×40	580	1.942	1.068
	100	14.5×45	640	1.592	0.876
		18×31.5	640	1.592	0.876
	120	18×36	700	1.327	0.730
	150	18×45	840	1.062	0.584
	450 (500) 2W	33	10×45	290	4.825
39		10×51	330	4.083	2.246
		12.5×36	330	4.083	2.246
47		12.5×40	400	3.388	1.863
53		12.5×45	430	3.004	1.652
56		12.5×45	460	2.843	1.564
68		12.5×51	540	2.342	1.288
		14.5×35.5	540	2.342	1.288
82		14.5×45	600	1.942	1.068
100		18×31.5	700	1.592	0.876

可根据客户需要定制产品 Customer products are available on request.