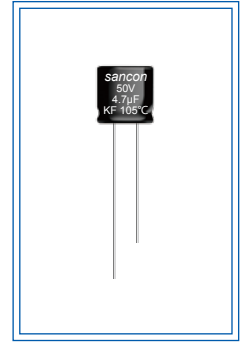


# KF 宽温度品 (CD50H)

- 5mm 高度, 105°C 1000 小时。5mm height, 105°C 1000 hrs.
- 适用于移动通讯、袖珍对讲机、汽车音响等电路。

Used in locomotive communication, pocked intercom telephone and car audio circuits, etc.

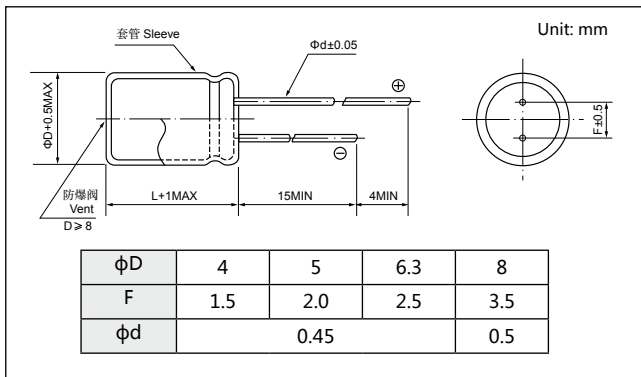
- 符合 RoHS。RoHS Compliant.



## 主要技术性能 Specifications

项目 Item	特性 Performance Characteristics							
工作温度范围 Operating Temperature Range	-40~+105°C							
额定电压范围 Rated Voltage Range	4~50V							
标称电容容量范围 Nominal Capacitance Range	0.1~220μF							
标称电容容量允许偏差 Capacitance Tolerance	±20%(+20°C, 120Hz)							
漏电流 Leakage Current	I ≤ 0.01CV 或 3 (μA) 2 分钟 (at 20°C, after 2 minutes) 取较大者 (whichever is greater)							
损耗角正切值 (tgδ) Dissipation Factor (+20°C, 120Hz)	U <sub>R</sub> (V)	4	6.3	10	16	25	35	50
	tgδ	0.35	0.26	0.22	0.18	0.16	0.14	0.12
温度特性 Temperature Characteristics (Impedance ratio at 120Hz)	U <sub>R</sub> (V)	4	6.3	10	16	25	35	50
	Z-25°C / +20°C	7	4	3	2	2	2	2
	Z-40°C / +20°C	15	10	8	6	4	3	3
耐久性 Load Life	+105°C加额定电压 1000 小时, 恢复 16 小时后: After applying rated voltage for 1000 hours at +105°C and then resumed 16 hours: 电容容量变化率 Capacitance change: ±25% 初始测量值以内 ±25% of the initial measured value (4V:±30%) 漏电流 Leakage current: ≤ 初始规定值 ≤ The initial specified value 损耗角正切值 Dissipation factor: ≤ 2 倍初始规定值 ≤ 200% of the initial specified value							
高温贮存 Shelf Life	+105°C, 1000 小时贮存后, 恢复 16 小时后: After storage for 1000 hours at +105°C and then resumed 16 hours: 电容容量变化率 Capacitance change: ±25% 初始测量值以内 ±25% of the initial measured value (4V:±30%) 漏电流 Leakage current: ≤ 2 倍初始规定值 ≤ 200% of the initial specified value 损耗角正切值 Dissipation factor: ≤ 2 倍初始规定值 ≤ 200% of the initial specified value							

## 外形图及尺寸 Diagram of Dimensions



## 纹波电流修正系数 Multiplier for Ripple Current

频率系数 Frequency coefficient		60	120	1k	≥ 10k
Cap(μF)	0.1~68	0.8	1.0	1.3	1.5
	100~220	0.8	1.0	1.15	1.2

额定值标准 Standard Size

Cap.(μF)	V(Code) Code	4V (0G)		6.3V (0J)		10V (1A)		16V (1C)		25V (1E)		35V (1V)		50V (1H)	
0.1	0R1													4×5	1.0
0.22	R22													4×5	2.6
0.33	R33													4×5	3.2
0.47	R47													4×5	3.8
1	010													4×5	6.2
2.2	2R2													4×5	11
3.3	3R3													4×5	14
4.7	4R7									4×5	13	4×5	15	5×5	19
10	100					4×5	15	4×5	18	5×5	23	5×5	25	6×5	30
22	220	4×5	22	4×5	22	5×5	27	5×5	30	6×5	38	6×5	48	8×5	60
33	330	5×5	30	5×5	30	5×5	35	6×5	40	6×5	48				
47	470	5×5	36	5×5	36	6×5	46	6×5	50						
100	101	6×5	60	6×5	60			6×5	75	8×5	80				
220	221			8×5	110	8×5	120								

额定纹波电流 Rated ripple current(mA,+105°C,120Hz)

可根据客户需要定制产品 Customer products are available on request.

Ultra-Miniature