

HD 小体积, 高稳定, 长寿命 (CD26GD)

- 小体积, 高稳定, 长寿命。Miniaturized, high stability, long life.
- 专为 LED 灯、LED 驱动设计。Extremely designed for LED lamps, LED driver.
- 保证寿命: 105°C 6000 小时。Ensure life: 105°C 6000 hrs.
- 符合 RoHS。RoHS Compliant.

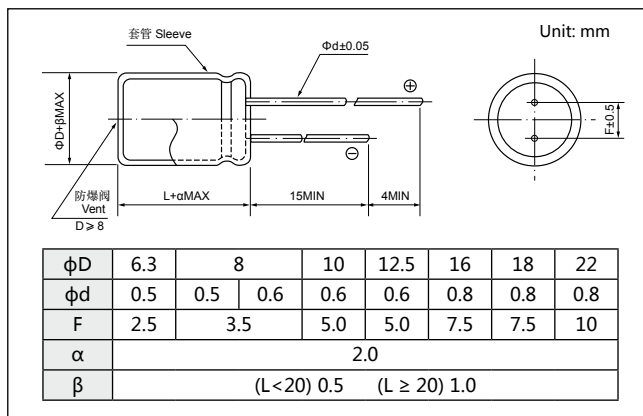


主要技术性能 Specifications

| 项目 Item | 特性 Performance Characteristics | | | | | | | |
|---|--|---------------------------|------|------|--|------|------|------|
| 工作温度范围 Operating Temperature Range | -40~+105°C (160~400V) -25~+105°C (450~500V) | | | | | | | |
| 额定电压范围 Rated Voltage Range | 160~500V | | | | | | | |
| 标称电容范围 Nominal Capacitance Range | 1~150µF | | | | | | | |
| 标称电容允许偏差 Capacitance Tolerance | ±20%(+20°C, 120Hz) | | | | | | | |
| 漏电流 Leakage Current | 160~400V | 450~500V | | | I: 漏电流 Leakage current (µA) C: 静电容量 Nominal capacitance (µF) V: 额定电压 Rated Voltage (V) (20°C, 2 分钟 minutes) | | | |
| | $I \leq 0.02CV + 10\mu A$ | $I \leq 0.03CV + 10\mu A$ | | | | | | |
| 损耗角正切值 (tgδ) Dissipation Factor (+20°C, 120Hz) | $U_R(V)$ | 160 | 200 | 250 | 350 | 400 | 450 | 500 |
| | tgδ | 0.15 | 0.15 | 0.15 | 0.20 | 0.20 | 0.20 | 0.24 |
| 温度特性 Temperature Characteristics (Impedance ratio at 120Hz) | $U_R(V)$ | 160 | 200 | 250 | 350 | 400 | 450 | 500 |
| | Z-25°C / +20°C | 3 | 3 | 3 | 5 | 5 | 6 | 6 |
| | Z-40°C / +20°C | 6 | 6 | 6 | 6 | 6 | - | - |
| 耐久性 Load Life | <p>在 105°C 环境中, 连续加载直流电压与额定纹波电流 (所加电压峰值不超过额定工作电压) 6,000 小时后, 待温度恢复到 20°C 进行测量时, 应满足以下要求:</p> <p>After application of DC voltage with rated ripple current (the voltage peak is not more than rated voltage) at 105°C 6,000 hours, measuring the parameters when the capacitors are restored to 20°C, the capacitors shall meet the requirements as below:</p> <p>电容量变化率 Capacitance change: ±20% 初始测量值以内 ±20% of the initial measured value 损耗角正切值 Dissipation factor: ≤ 2 倍初始规定值 200% of the initial specified value 漏 电 流 Leakage current: ≤ 初始规定值 the initial specified value</p> | | | | | | | |
| 高温贮存 Shelf Life | <p>在 105°C 环境中, 无负荷放置 1000 小时后, 待温度恢复到 20°C 进行测量时, 应满足以下要求:</p> <p>The following specifications shall be satisfied when the capacitors are restored to 20°C after exposing them for 1,000 hours at 105°C without voltage application.</p> <p>电容量变化率 Capacitance change: ±20% 初始测量值以内 ±20% of the initial measured value 损耗角正切值 Dissipation factor: ≤ 2 倍初始规定值 200% of the initial specified value 漏 电 流 Leakage current: ≤ 2 倍初始规定值 200% of the initial specified value</p> | | | | | | | |

High Stability

外形图及尺寸 Diagram of Dimensions



纹波电流修正系数 Multiplier for Ripple Current

频率系数 Frequency coefficient

| Frequency(Hz) | 120 | 1K | 10K | 100K |
|---------------|---------|------|------|------|
| Coefficient | 160-500 | 0.50 | 0.80 | 0.90 |

额定值标准 Standard Size

| Rated Voltage (V _{dc}) | Capacitance (μF) | Size ΦD×L (mm) | tanδ | Rated ripple current (mAmps) 105°C /100KHz | Rated Voltage (V _{dc}) | Capacitance (μF) | Size ΦD×L (mm) | tanδ | Rated ripple current (mAmps) 105°C /100KHz |
|----------------------------------|------------------|----------------|-------|--|----------------------------------|------------------|----------------|--------|--|
| 160V (2C) | 1 | 6.3x12 | 0.15 | 40 | 350V (2V) | 8.2 | 8x20 | 0.20 | 144 |
| | 1.5 | 6.3x12 | 0.15 | 50 | | 10 | 8x20 | 0.20 | 226 |
| | 1.8 | 6.3x12 | 0.15 | 56 | | 15 | 10x20 | 0.20 | 285 |
| | 2.2 | 6.3x12 | 0.15 | 60 | | 22 | 12.5x20 | 0.20 | 410 |
| | 2.8 | 6.3x12 | 0.15 | 65 | | 33 | 12.5x25 | 0.20 | 480 |
| | 3.3 | 6.3x12 | 0.15 | 68 | | 47 | 16x20 | 0.20 | 600 |
| | 4.7 | 6.3x12 | 0.15 | 72 | | 68 | 18x20 | 0.20 | 720 |
| | 5.6 | 8x12 | 0.15 | 76 | | 100 | 18x30 | 0.20 | 900 |
| | 6.8 | 8x12 | 0.15 | 96 | | 400V (2G) | 1 | 6.3x12 | 0.20 |
| | 10 | 8x12 | 0.15 | 206 | 1.2 | | 6.3x12 | 0.20 | 63 |
| | | 8x16 | 0.15 | 216 | 1.5 | | 8x12 | 0.20 | 72 |
| | 15 | 8x16 | 0.15 | 225 | 1.8 | | 8x12 | 0.20 | 75 |
| | | 8x20 | 0.15 | 360 | 2.2 | | 6.3x12 | 0.20 | 72 |
| | 22 | 10x16 | 0.15 | 360 | | | 8x12 | 0.20 | 78 |
| | | 33 | 10x20 | 0.15 | 450 | | 2.8 | 8x16 | 0.20 |
| | 47 | 10x20 | 0.15 | 500 | 3.3 | | 8x12 | 0.20 | 91 |
| | 68 | 12.5x20 | 0.15 | 600 | | | 8x16 | 0.20 | 95 |
| | 100 | 12.5x25 | 0.15 | 722 | 4.7 | | 8x12 | 0.20 | 104 |
| 16x20 | | 0.15 | 722 | 8x16 | | | 0.20 | 110 | |
| 150 | 16x25 | 0.15 | 798 | 5.6 | 8x20 | | 0.20 | 138 | |
| | 1 | 6.3x12 | 0.15 | | 42 | | 10x16 | 0.20 | 138 |
| 200V (2D) | 1.5 | 6.3x12 | 0.15 | 54 | 6.8 | | 8x20 | 0.20 | 148 |
| | 1.8 | 6.3x12 | 0.15 | 60 | | | 10x16 | 0.20 | 148 |
| | 2.2 | 6.3x12 | 0.15 | 68 | 8.2 | | 10x16 | 0.20 | 218 |
| | 2.8 | 6.3x12 | 0.15 | 71 | | | 10x20 | 0.20 | 230 |
| | 3.3 | 6.3x12 | 0.15 | 78 | 10 | | 10x16 | 0.20 | 226 |
| | 4.7 | 6.3x12 | 0.15 | 85 | | 10x20 | 0.20 | 238 | |
| | 5.6 | 8x12 | 0.15 | 98 | 15 | 12.5x20 | 0.20 | 300 | |
| | 6.8 | 8x16 | 0.15 | 103 | | 22 | 12.5x25 | 0.20 | 420 |
| | 10 | 8x16 | 0.15 | 216 | 16x20 | | 0.20 | 420 | |
| | | 15 | 8x16 | 0.15 | 225 | 33 | 16x25 | 0.20 | 550 |
| | 8x20 | | 0.15 | 250 | 16x30 | | 0.20 | 579 | |
| | 22 | 8x20 | 0.15 | 380 | 47 | 12.5x40 | 0.20 | 630 | |
| | | 10x16 | 0.15 | 380 | | 16x30 | 0.20 | 637 | |
| | 33 | 10x20 | 0.15 | 450 | 68 | 18x30 | 0.20 | 760 | |
| | 47 | 12.5x20 | 0.15 | 580 | 100 | 18x40 | 0.20 | 1100 | |
| | 68 | 12.5x25 | 0.15 | 665 | 450V (2W) | 1 | 8x12 | 0.20 | 60 |
| | 100 | 16x25 | 0.15 | 760 | | 1.5 | 8x12 | 0.20 | 70 |
| | 150 | 16x30 | 0.15 | 895 | | 1.8 | 8x12 | 0.20 | 72 |
| 250V (2E) | 1 | 6.3x12 | 0.15 | 46 | | 2.2 | 8x16 | 0.20 | 75 |
| | 1.5 | 6.3x12 | 0.15 | 58 | | 2.8 | 8x16 | 0.20 | 79 |
| | 1.8 | 6.3x12 | 0.15 | 62 | | 3.3 | 8x16 | 0.20 | 86 |
| | 2.2 | 6.3x12 | 0.15 | 70 | | 4.7 | 8x20 | 0.20 | 99 |
| | 2.8 | 6.3x12 | 0.15 | 78 | | 5.6 | 10x16 | 0.20 | 115 |
| | 3.3 | 6.3x12 | 0.15 | 80 | | 6.8 | 10x20 | 0.20 | 158 |
| | 4.7 | 8x12 | 0.15 | 102 | | 8.2 | 10x20 | 0.20 | 209 |
| | 5.6 | 8x12 | 0.15 | 105 | | 10 | 10x20 | 0.20 | 225 |
| | 6.8 | 8x16 | 0.15 | 115 | | 15 | 12.5x20 | 0.20 | 332 |
| | 8.2 | 8x16 | 0.15 | 120 | | 22 | 12.5x25 | 0.20 | 427 |
| | 10 | 8x16 | 0.15 | 216 | | 33 | 10x45 | 0.20 | 510 |
| | 15 | 8x20 | 0.15 | 250 | | | 16x25 | 0.20 | 522 |
| | 22 | 10x16 | 0.15 | 380 | | 47 | 12.5x45 | 0.20 | 660 |
| | 33 | 12.5x20 | 0.15 | 470 | | | 16x35 | 0.20 | 700 |
| | 47 | 12.5x20 | 0.15 | 580 | | 68 | 18x30 | 0.20 | 769 |
| | | 12.5x25 | 0.15 | 600 | 100 | 18x40 | 0.20 | 950 | |
| | 68 | 16x25 | 0.15 | 720 | 500V (2H) | 10 | 12.5x20 | 0.24 | 259 |
| | 100 | 16x30 | 0.15 | 836 | | | 12.5x25 | 0.24 | 272 |
| 150 | 16x35 | 0.15 | 978 | 15 | | 12.5x25 | 0.24 | 356 | |
| 1 | 6.3x12 | 0.20 | 50 | | | 16x20 | 0.24 | 356 | |
| | 1.5 | 6.3x12 | 0.20 | 60 | | 22 | 12.5x35 | 0.24 | 453 |
| 1.8 | 6.3x12 | 0.20 | 64 | 33 | | 16x25 | 0.24 | 453 | |
| 2.2 | 6.3x12 | 0.20 | 70 | | | 18x25 | 0.24 | 567 | |
| 2.8 | 8x12 | 0.20 | 80 | 47 | | 18x30 | 0.24 | 713 | |
| 3.3 | 8x12 | 0.20 | 82 | 68 | | 22x35 | 0.24 | 1000 | |
| 4.7 | 8x12 | 0.20 | 102 | 100 | 22x35 | 0.24 | 1400 | | |
| 5.6 | 8x16 | 0.20 | 110 | | | | | | |
| 6.8 | 8x20 | 0.20 | 128 | | | | | | |

High Stability

可根据客户需要定制产品 Customer products are available on request.